

Assembly Manual

Spray nozzle including holder (7009.35)

Introduction

Foreword

This assembly manual may be used only in conjunction with the operating manual of the machine.

Safety instructions

Please observe the general safety regulations of the corresponding machine in the relevant operating manual. Place the machine on a level surface and secure it with the parking brake. Switch the machine off and pull out the key.

We would expressly advise you that no legal claims may be asserted based on the contents of this manual. In the case of necessary repair work, please make sure that only original spare parts are used. Only original spare parts guarantee constant and reliable operational readiness of your machine. We reserve the right to make changes in the interests of further technical development.

Valid as from: Mai 2018

Hako GmbH
23843 Bad Oldesloe, Germany
Hamburger Str. 209-239
Phone +49 4531 806-0

1 Spray nozzle including holder

1.1 Parts list

- 1 1x holder, pre-assembled
- 2 2x button head bolts (with cross recess) M6x16 A2G
- 3 1x spray nozzle with hose

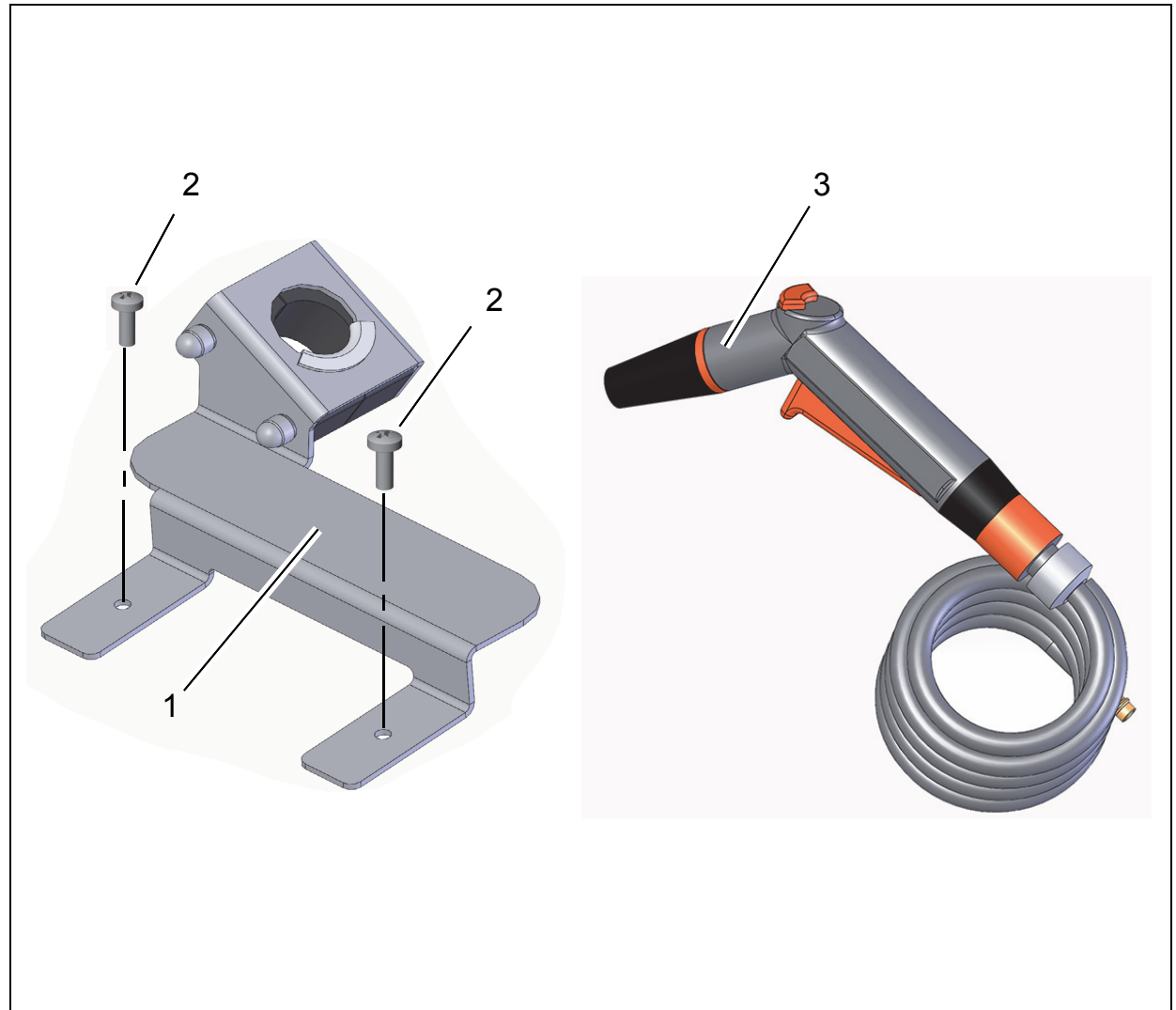


Fig. 1

Spray nozzle including holder

1.2 Holder assembly

1. Holder, pre-assembled (Fig. 2/1) fit to cover of machine with button head bolts M6x16 as shown in the illustration.
2. Insert spray nozzle (Fig. 2/2) into holder.
3. Connect hose of spray nozzle to water connection of machine (Fig. 2/3).

1.3 Operation

1. Turn on the machine.
2. Use the tool operation button (Fig. 2/4) on the control panel to switch the water supply on and off.
3. Controls at the spray nozzle:

A	Operating handle for turning the water supply with locking mechanism on and off.
B	Adjusting lever for water dosing
C	Water jet type setting

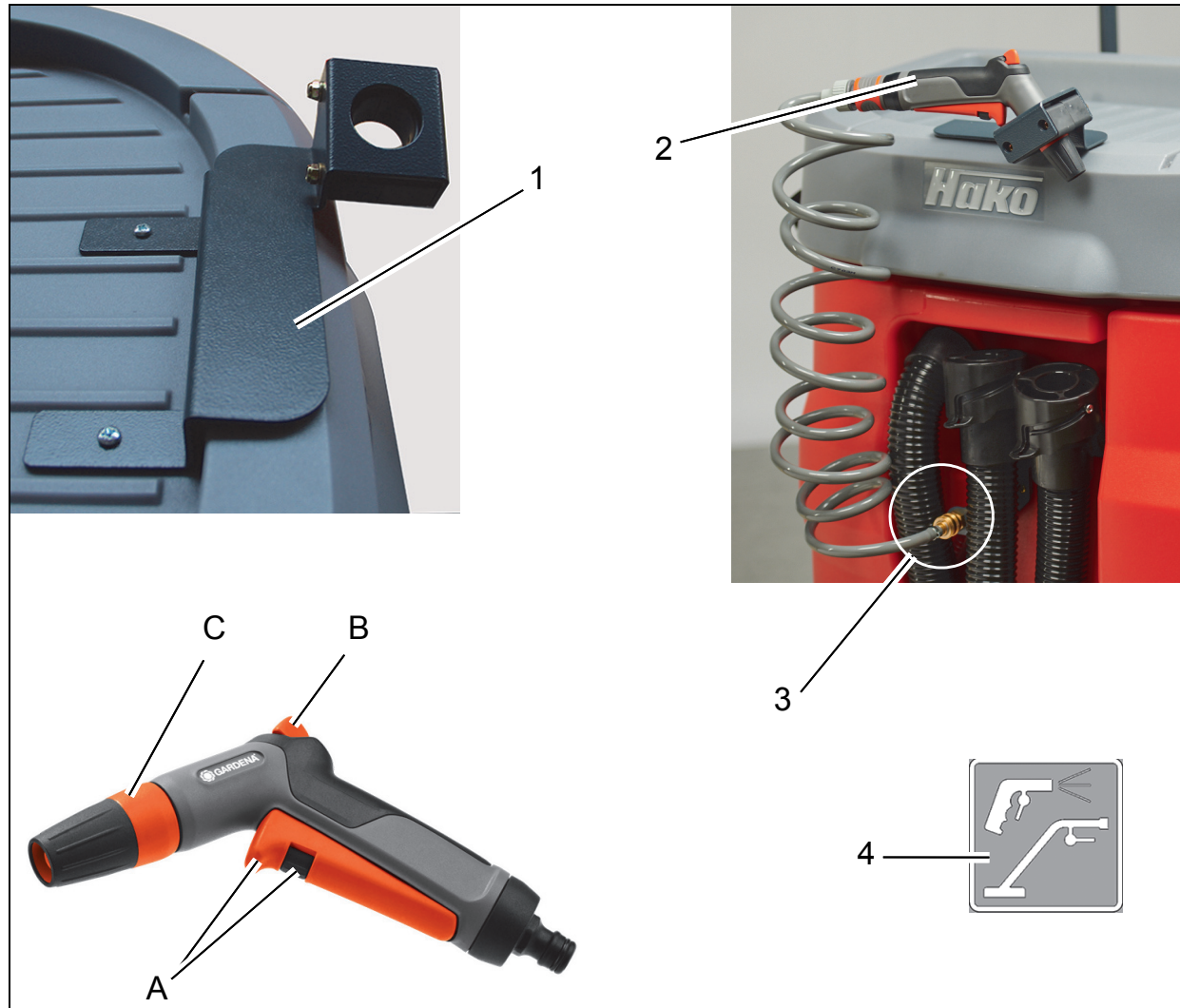


Fig. 2

1.4 Setting in the configuration menu

The spray nozzle including holder option must be activated via the configuration menu.

Option	Value
Spray nozzle including holder	1. B. 1.

Requirements:

- Batteries inserted
- 4-digit code or diagnosis plug 97097737 present

If diagnosis plug is used:
Connect diagnosis plug to slot X20 of controller A1 (Fig. 3/1).

Setting:

1. Turn on the machine.
2. Select the arrow soft key (Fig. 3/3) on the control panel using the turn-push knob (DDS)(Fig. 3/2) and press to access the sub-menu.
3. Select the configuration menu in the sub-menu (Fig. 3/4).

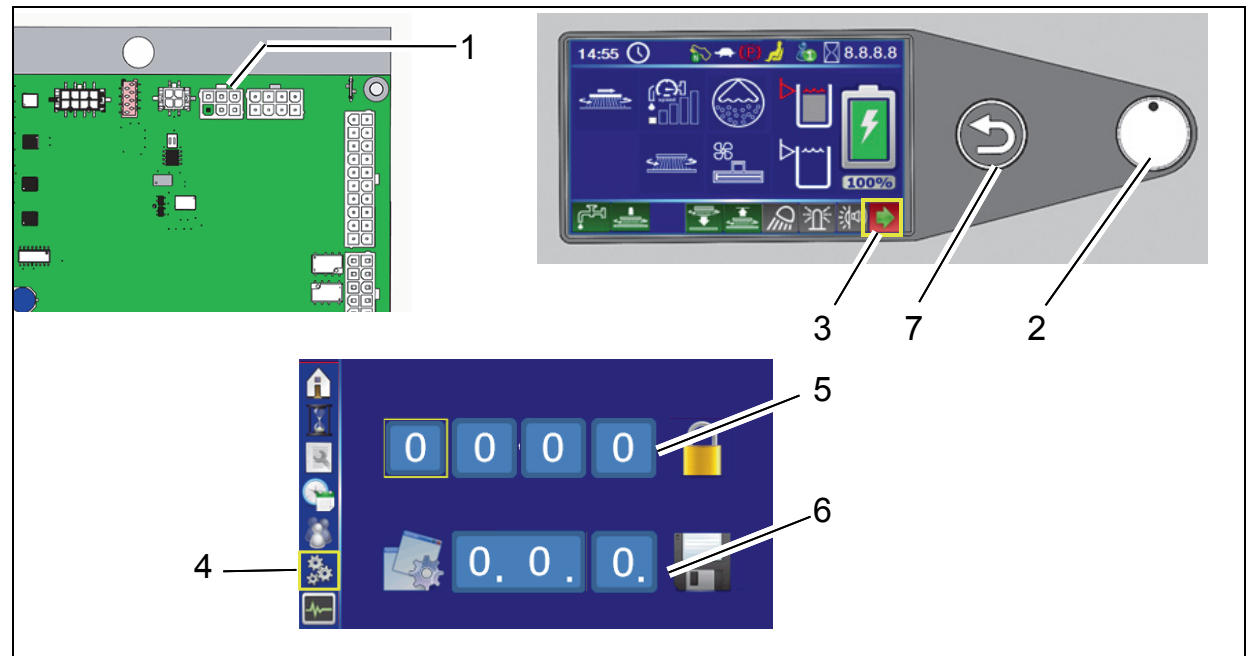


Fig. 3

4. Enter the 4-digit code in the configuration menu at the top (Fig. 3/5):
 - Rotate the DDS until the required field is reached.
 - Press DDS, then rotate to set the value.
 - Press again to save the value.
 Alternatively, use the diagnosis plug!
5. Select the value of the option under (Fig. 3/6) in the configuration menu and save by pressing the DDS. After confirming the last digit, *OK?* appears. Press DDS again to save the value. Saved value is displayed in green. If the value is not to be saved, exit menu using the return key (Fig. 3/7).

Hako

Clean ahead

Advanced Technology for a Cleaner, Better Environment

88-10-3145 - 3925-00



Hako GmbH • Head Office • Hamburger Str. 209-239 • 23843 Bad Oldesloe • Germany
Phone +49 4531 806-0 • Fax +49 4531 806-338